

we care 

primus

laundry equipment

Rigid Mounted Industrial Washer Extractors

RS 6, RS 7, RS 10, RS 13



FEATURES

- Rigid mounted, medium spin
- Front and top panels from stainless steel
- Stainless steel drum and tub
- Large drain valve (Ø76 mm)
- Easy access to all parts
- Patented soap hopper and drain valve (Liqui-Mix® system)
- Standard liquid soap connections
- Compact width: 660 mm, ideal for replacing existing models (including models of most competitors)
- Frequency controlled motor
- PowerWash® perforated lifting ribs more mechanical action, lower water consumption
- Measurement of unbalance by means of frequency inverter
- SuperEco washing programmes
 - significantly reduces water and electricity consumption

OPTIONS

- Stainless steel cabinet (AISI 304)
- Graphitronic® - new graphic display with almost unlimited possibilities as:
 - Communication interface enabling remote service
 - Multilingual microprocessor
 - Freely programmable
- Liquid soap pumps
- Coin operated timer
- Water recovery kit
- Trace-Tech® traceability software and networking system



ROBUST DESIGN



LARGE DRAIN VALVE



SERVICE FRIENDLY

POWERWASH®

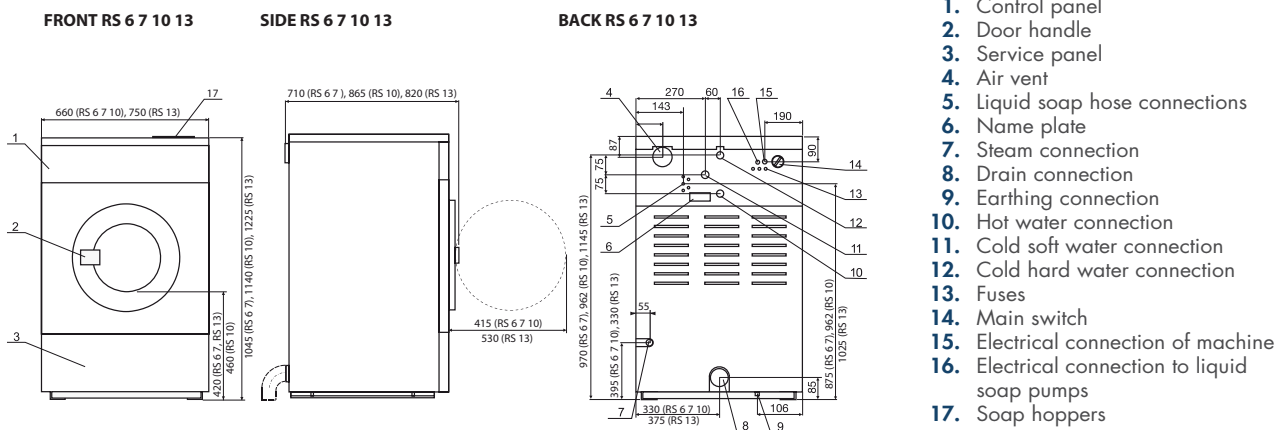
supereco

liqui-mix®

TRACE-TECH®

TYPE		RS 6	RS 7	RS 10	RS 13
CAPACITY					
Drum volume	l	60	73	95	131
Capacity	kg/lb	6/15	7/18	10/25	13/30
Drum diameter	mm	Ø530	Ø530	Ø530	Ø650
MOTOR					
Frequency controlled		standard	standard	standard	standard
DRUM SPEED					
Wash speed	rpm	48	48	48	45
Spin speed	rpm	580	580	580	525
G-factor spin speed		100	100	100	100
PROGRAMMER					
Microprocessor EC		standard	standard	standard	standard
Microprocessor Graphitronic®		+	+	+	+
CABINET					
Coloured side panels		standard	standard	standard	standard
Stainless steel AISI 304		+	+	+	+
FIXING					
		yes (6pcs M16x160)	yes (6pcs M16x160)	yes (6pcs M16x160)	yes (6pcs M16x160)
HEATING					
100% hot water	°C	90	90	90	90
	°F	194	194	194	194
100% electrical	kW	6-9	6-9	6-9-12	6-9-12
Steam high pressure	bar	3-8	3-8	3-8	3-8
CONNECTION					
Electrical		1x220-240V 50/60Hz, 1x208-240V 50/60Hz 3x220-240V 50/60Hz, 3x208-240V 50/60Hz 3x380-415V+N 50/60Hz, 3x380-480V 50/60Hz Others on request			
Water inlet	inch	3/4"			
Steam inlet	inch	1/2"			
DIMENSIONS					
HxWxD	mm	1045x660x710	1045x660x710	1140x660x865	1225x750x820
TRANSPORT DATA					
Gross weight					
Case packing	kg	145	145	195	205
Net weight	kg	140	140	185	195
Volume (packed)					
Case packing	m ³	0,6	0,6	0,79	0,95
Case packing HxWxD	mm	1180x700x730	1180x700x730	1280x700x880	1380x810x850
WATER CONSUMPTION					
Cold and hot water per cycle*	l	40 + 8	48 + 12	63 + 15	85 + 21

+ = Available, Standard = Standard version, * Tested in accordance of EN 604 56 norm
The data concerning dimensions of machines include all extended parts



The company Primus preserves the right to change the machines and the specification in this leaflet at any time, without prior notice. Details and photographs are only for information and never binding.

www.primuslaundry.com

ISO 9001
ISO 14001
BUREAU VERITAS
Certification

