

# HIGHLY EFFICIENT SOFT MOUNTED WASHER EXTRACTORS

**FX  
RANGE**

FX350	FX450	FX600
35KG 77LB	45KG 99LB	60KG 132LB



## FEATURES

- Freestanding, high spin
- Patented Cascade Drum™
- Stainless steel drum and tub
- Xcontrol Plus™ - Fully programmable
- 3rd water inlet, high inlets capacity
- 2x large drain valves (Ø 76 mm)
- Easy Soap™ - liquid soaps connection
- Large door opening for easy loading unloading
- Ergonomic height of door enables easy access with trolleys
- USB and RS485 plug (on the back panel)
- User Friendly control position regardless
- Bumper (front side protection)
- Soap hopper - new sleek design

## OPTIONS

- Stainless steel front
- Liquid soap pumps
- Recycle valve
- Steam heating version
- Air operated water inlets
- OPTILOAD™ - weighing system
- Water sample tap
- Extra signalization (orange light & horn)
- Isolation for energy and noise reduction
- Forward tilting (n/a for FX350)
- Trace-Tech™ - laundry management software



ERGONOMICAL  
CONSTRUCTION



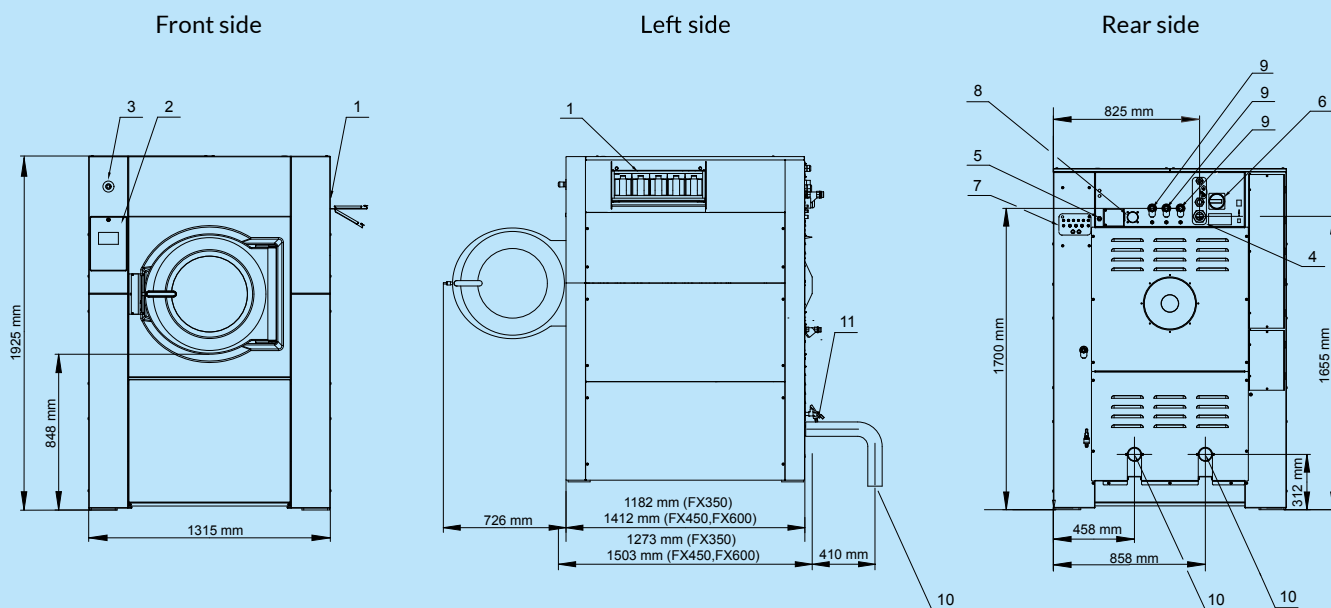
LARGE DOOR  
OPENING



LOW WATER  
AND ENERGY  
CONSUMPTION

**GET AHEAD** IN LAUNDRY

TYPE		FX350	FX450	FX600
<b>INNER DRUM</b>				
Capacity	kg	35	45	60
Volume	litres	350	450	600
Diameter	mm	914	914	1035
<b>DRUM SPEED</b>				
Wash speed (max)	rpm	45	45	42
Extraction speed (max)	rpm	839	839	788
<b>G-FACTOR</b>				
		360	360	360
<b>HEATING</b>				
Electricity	kW	24	36	54
Steam	bar	3-8	3-8	3-8
Hot water	°C	90	90	90
Sound pressure level	dB (A)	<75	<75	<75
Water valves connection	BSP	1"	1"	1"
Water pressure	kPa	100-800	100-800	100-800
Rec. water pressure	kPa	300-500	300-500	300-500
Water inlet	l/min	578	578	578
Drain valve	outer Ø mm	2x76	2x76	2x76
Flow amount with drain valve	l/min	210	210	210
Steam valve connection	BSP	3/4"	3/4"	3/4"
Steam pressure	kPa	300-800	300-800	300-800
<b>DIMENSIONS</b>				
Size H×W×D	mm	1925x1315x1270	1925x1315x1502	1925x1315x1502
Net weight	kg	1010	1350	1500
<b>TRANSPORT DATA</b>				
Packed H×W×D	mm	2125x1425x1470	2125x1425x1700	2125x1425x1700
Gross weight	kg	1170	1490	1640



- 1 Soap hopper
- 2 Keyboard
- 3 Emergency stop
- 4 Electrical connection

- 5 Electrical connection to liquid soap
- 6 Main switch
- 7 Liquid soap pump connections

- 8 Air vent tub
- 9 Water connection
- 10 Drain valve
- 11 Water Sample Tap

**Armstrong**  
COMMERCIAL LAUNDRY SYSTEMS

Due to continuous product development, design and specifications are subject to change without notice.

**Head Office:** Unit 11, Arnham Road, Bone Lane, Newbury, Berkshire RG14 5RU

**Sales:** +44 (0)1635 263410

**Parts:** +44 (0)1635 263415

**Service:** +44 (0)1635 263425

**Switchboard:** +44 (0)1635 263400

**Email:** enquiries@armstronglaundry.com

**Web:** www.armstronglaundry.com

**Scottish office**

46 Kelvin Avenue, Hillington Park, Glasgow G52 4LT

**Tel:** +44 (0)141 892 2390

**Email:** scotland@armstronglaundry.com